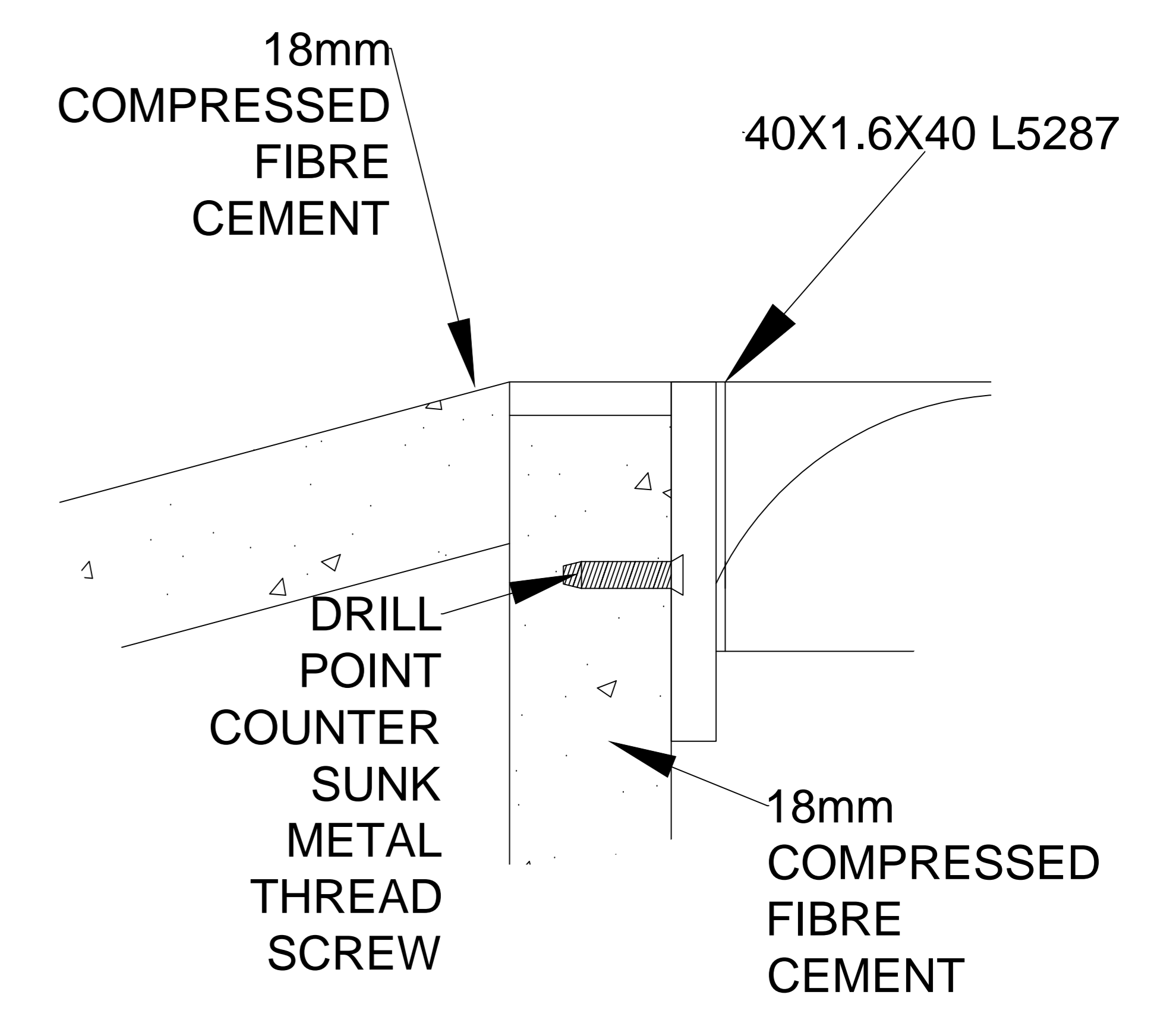
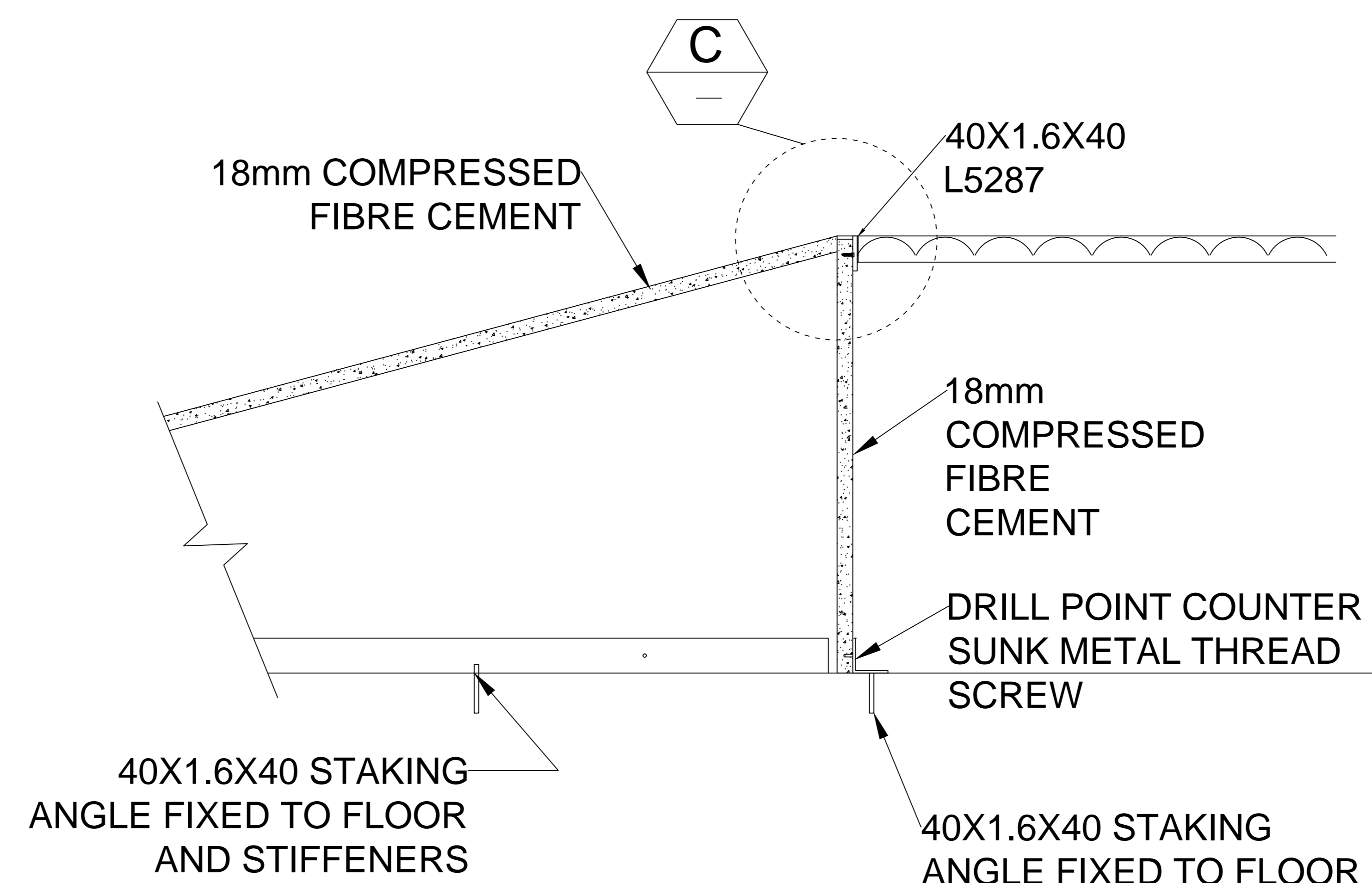
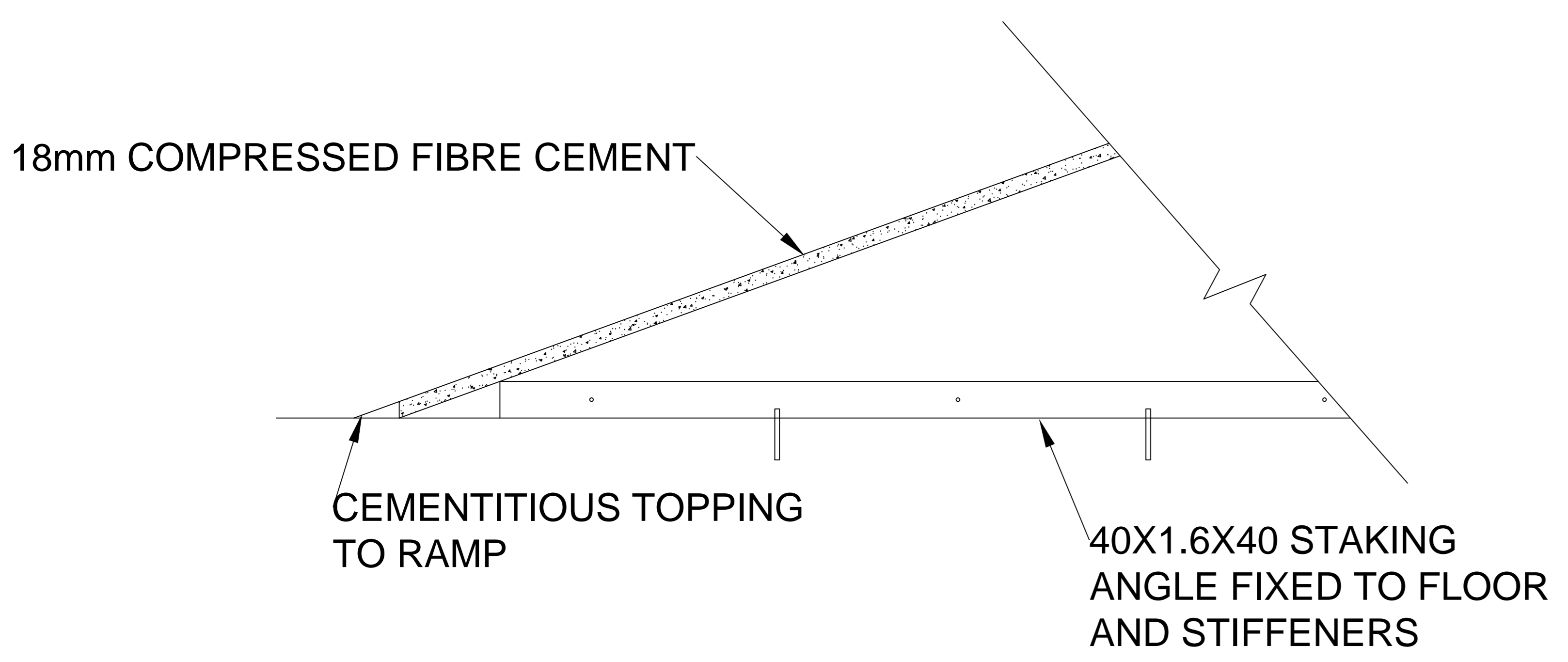
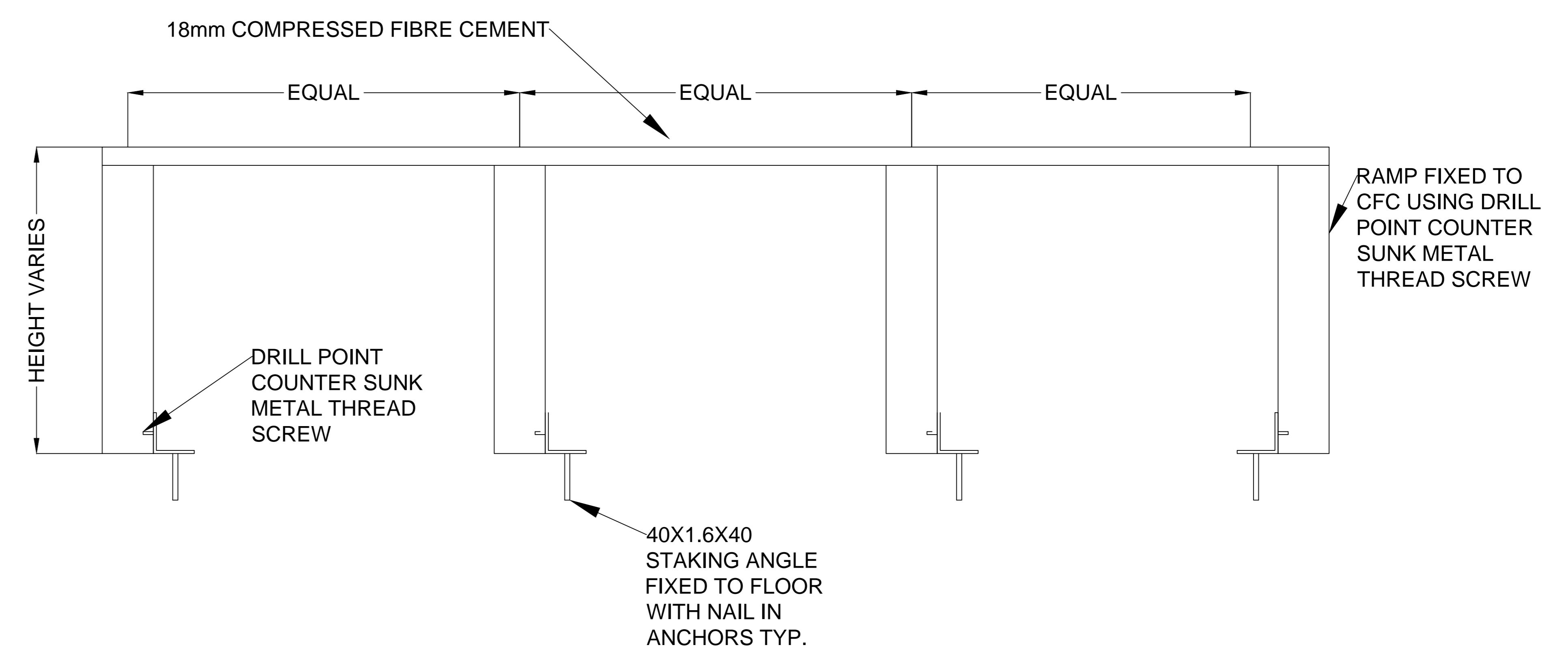



**STIFFENERS AT EQUAL SPACING
(600 MAX./ 300 MIN.)**



Drawing Originator:		ASP ACCESS FLOORS		Client:		Project:		Title:		Drawn:		Author		Drawing No.	
		32 PRIME DRIVE, SEVEN HILLS NSW, 2145, AUSTRALIA						TYPICAL RAMP DETAIL		Date:		Sep. 2017			
		Tel: 0061 (02) 9620 9915								Scale:		1:10			
		Fax: 0061 (02) 9620 9918								Size:		A0			
		Web: www.aspfloors.com.au												Rev. A	
No.	Rev.	By	Chk	App	Date										