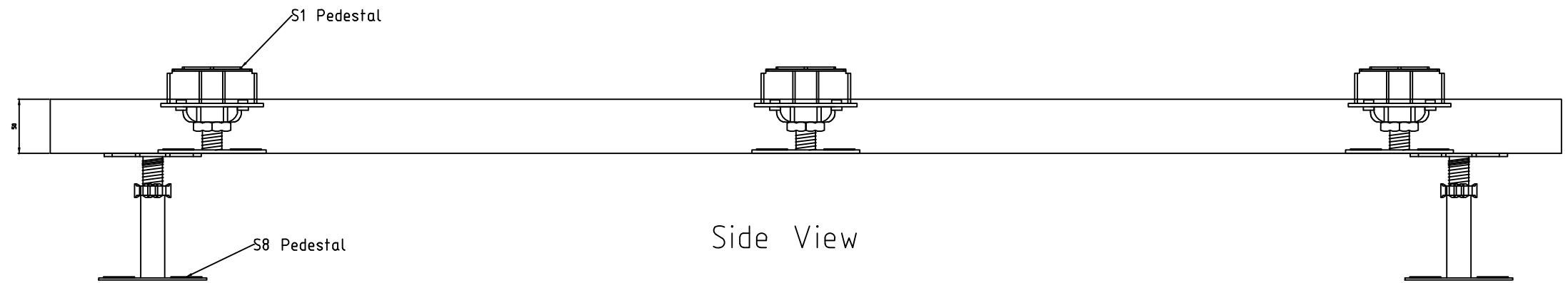
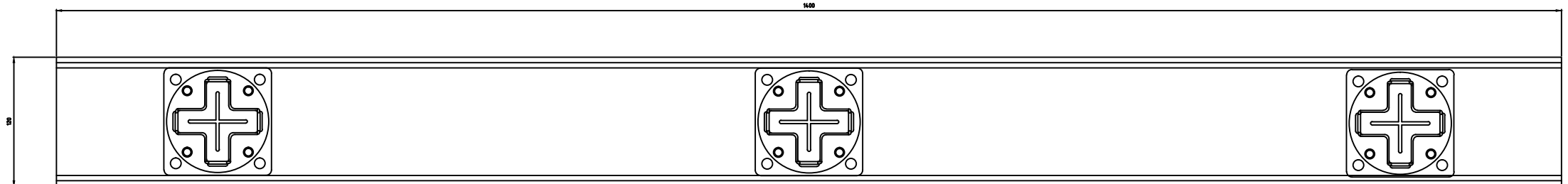



Front View



Side View



Top View

		Drawing Originator:		ASP ACCESS FLOORS		Client:		Project:		Title:		Drawn:		Author		Drawing No.	
				32 PRIME DRIVE, SEVEN HILLS NSW, 2145, AUSTRALIA						1200mm HPL-RG Bridging Stringer Detail		Date:					
				Tel: 0061 (02) 9620 9915 Fax: 0061 (02) 9620 9918 Web: www.aspfloors.com.au								Scale: 1:5					
No.				Rev.		By		Chk		App		Date		Size: A3		Rev. A	