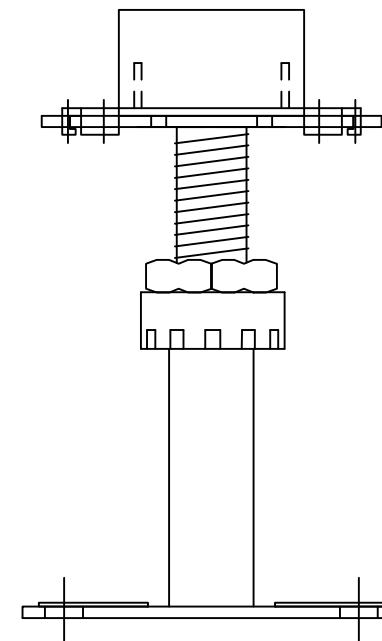
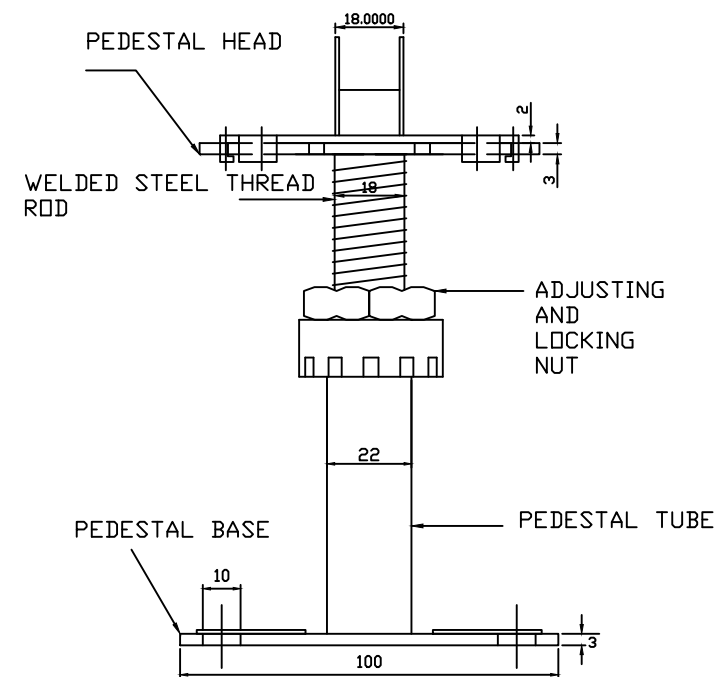



Plan



Elevation

		Drawing Originator:		ASP ACCESS FLOORS		Client:		Project:		Title:		Drawn:		Author		Drawing No.	
				32 PRIME DRIVE, SEVEN HILLS						S6 Pedestal		Date:					
				NSW, 2145, AUSTRALIA						Tel: 0061 (02) 9620 9915		Scale: 1:2					
				Tel: 0061 (02) 9620 9915						Fax: 0061 (02) 9620 9918		Size: A3					
				Web: www.aspfloors.com.au						Rev. A							
No.	Rev.	By	Chk	App	Date												